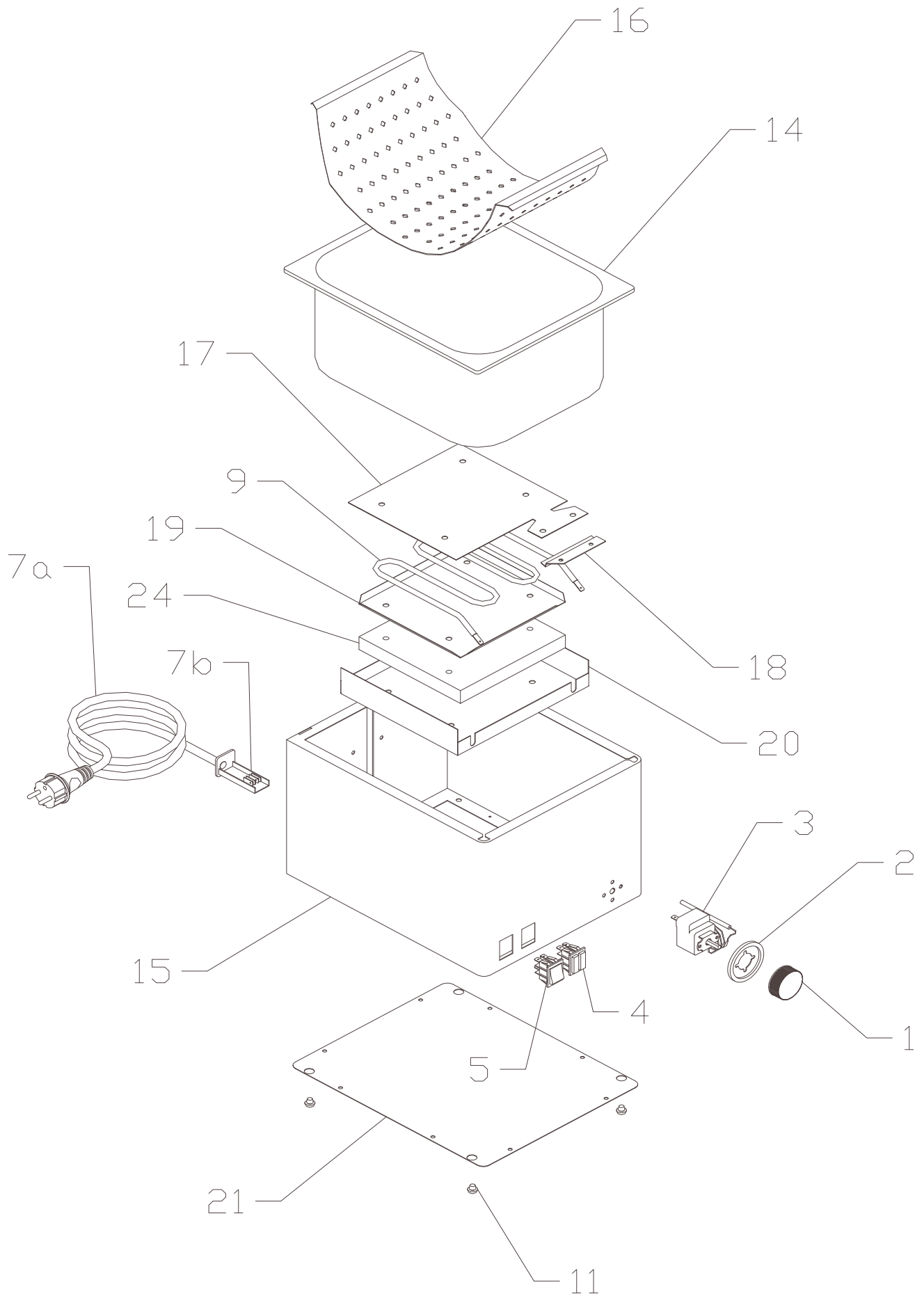




UH - 12





UH - 12

UH-12	
Pozice	Kód
1	402591000
2	402595000
3	452501100
4	401510000
5	401500500
6	-----
7a	402010000
7b	402085500
8	-----
9	401021000
10	-----
11	407810100
12	-----
13	-----
14	502500100
15	502502300
16	452500950
17	452500500
18	450503500
19	452500800
20	452500400
21	452500200
22	-----
23	-----
24	407502110

Exploded view

TABLE A: LABELS

MODEL	CODE	NOTE
VT	402594273	
TO - 940	402594234	Switch
TO - 940	402594235	Timer
TO - 960	402594234	Switch
TO - 960	402594235	Timer
TO - 920	402594233	Switch
TO - 920	402594235	Timer
TO - 930	402594233	Switch
TO - 930	402594235	Timer
VEC	402594241	
PM - LTF	402594244	
KD	402594243	
FP - 36	402594237	
FP - 66		
FP - 37		
FP - 67		
FT	402594247	
PD		
PM		
PS		
FP - 38		
FP - 68		
FE	402594272	
BM	402594236	
BMV		
HD		
WE		
WEV		
OTS		
UH		
BM-D	402594271	
SE		
CW		
GV		

